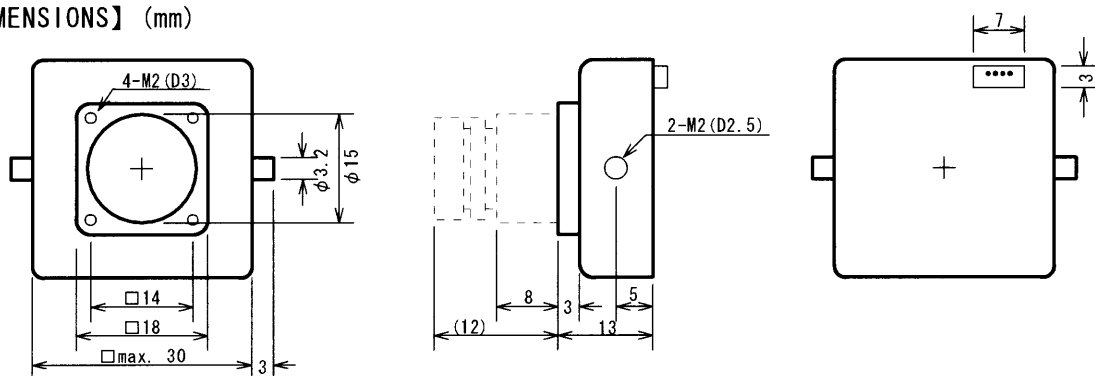


WAT-230A Color Camera

【SPECIFICATIONS】

Model	WAT-230A (NTSC/PAL)
Pick-up element	1/4 inch interline transfer CCD image sensor
Number of total pixels	542(H) × 497(V) (NTSC), 542(H) × 587(V) (PAL)
Number of effective pixels	512(H) × 492(V) (NTSC), 512(H) × 582(V) (PAL)
Unit cell size	7.2 μm(H) × 5.6 μm(V) (NTSC), 7.2 μm(H) × 4.7 μm(V) (PAL)
Scanning system	2:1 interlace
Synchronizing system	Internal
Video output	Composite Video, 1 Vp-p, 75ohm Unbalanced
Resolution(Horizontal)	350TV lines(center)
Minimum illumination	0.4 lx. F2.0 (G3.8)
Gamma correction	$\gamma \cong 0.45$
AGC	6~30dB
BLC	ON
S/N ratio	50dB (AGC OFF)
White balance	Automatic
Electronic iris	1/60 ~ 1/100000 sec. (NTSC), 1/50 ~ 1/100000 sec. (PAL)
Standard lens	(Glass, f3.8mm, F2.0) or (Pin Hole, f3.7mm, F4.5)
Installation screw	M2 (D=2.5mm) (Both side)
Connection terminal	Special connector
Power supply	DC +5.4~7.5V
Current	Max. 160mA
Operating temperature	-10°C ~ +40°C
Storage temperature	-30°C ~ +70°C
Dimensions	36.0(W) × 30.0(H) × 15.0(D)mm + lens
Weight	Approx. 30g
Accessories	connection cable(K-84)

【DIMENSIONS】 (mm)



Accessories: K-84

