

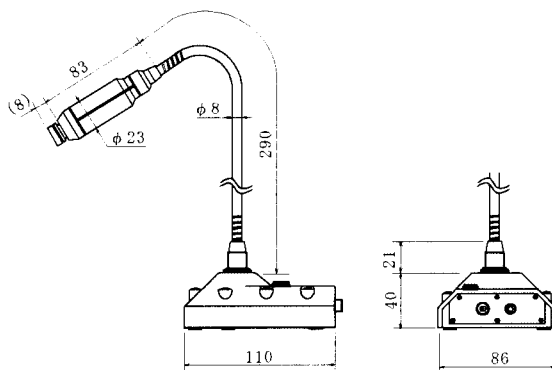
WAT-240F25/F50 Color Camera

【SPECIFICATIONS】

Model	WAT-240F25/F50 (NTSC, PAL)
Pick-up element	1/4inch interline transfer CCD image sensor
Number of total pixels	542 (H) × 492 (V) (NTSC), 542 (H) × 582 (V) (PAL)
Number of effective pixels	512 (H) × 492 (V) (NTSC), 512 (H) × 582 (V) (PAL)
Unit cell size	7.2 μm (H) × 5.6 μm (V) (NTSC); 7.2 μm (H) × 4.7 μm (V) (PAL)
Scanning system	2:1 interlace
Synchronizing system	Internal
Video output	Composite video, 1 Vp-p, 75ohm Unbalanced
Resolution (Horizontal)	350TV lines (Center)
Minimum illumination	6.5 lx. (F5.0)
Gamma correction	$\gamma \cong 0.45$
AGC	3~24dB
S/N ratio	50dB (AGC OFF, $\gamma=1.0$)
White balance	Automatic
Back light compensation	OFF
Electronic iris	1/60 ~ 1/1,000 sec. (NTSC) 1/50 ~ 1/1,000 sec. (PAL)
Standard lens	Glass f3.8mm, F5.0
Power supply	DC +5.4~7.5V
Current	max. 200mA
Operating temperature	-10°C ~ +40°C (w/o condensation)
Storage temperature	-30°C ~ +70°C (w/o condensation)
Weight	Approx. 540g (WAT-240F25), 600g (WAT-240F50)
Accessories	AC adaptor, Video cable (5m)

【DIMENSIONS】 (mm)

WAT-240F25



WAT-240F50

